

Portable Gravity Operated Eyewash

EL483

The portable gravity operated eyewash features a 35 litre capacity, FDA high-density green polyethylene tank which provides a full 15 minute full pattern flushing at 1.5 litres per minute to be compliant with ANSI Z 358.1 and AS4775 Standards.

FEATURES

- Fold-down eyewash arm protects spray outlets when not in use
- Top handle for easy handling and portability.
- Wide-fill opening for inspection, cleaning and filling with threaded sealing cap
- Supplied with wall bracket
- Supplied with bacteriostatic additive to permit storage of water for up to six months

OPTIONS

Anti-bacteria Preservative Additive **ESS200**

Four bottles per carton. Directions on the bottle. Each 237ml bottle will preserve 15 - 75 liters of potable water for up to 6 months.



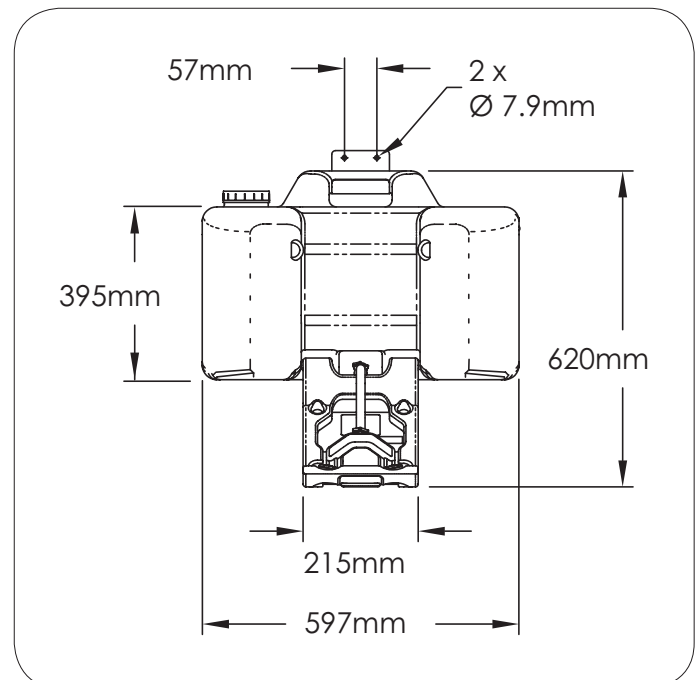
Product Codes

EL483 Portable Gravity Fed Eye Wash



Technical Information

Capacity	35L
Tank	FDA high-density green polyethylene
Flushing	1.5 lpm
Measurements H/D/W	395 x 600 x 250 mm



Version: Mar 19

Call 1300 369 273
www.enware.com.au

Enware Australia Pty Limited
9 Endeavour Rd Caringbah NSW 2229 Australia
Ph: 02 8536 4000 info@enware.com.au

